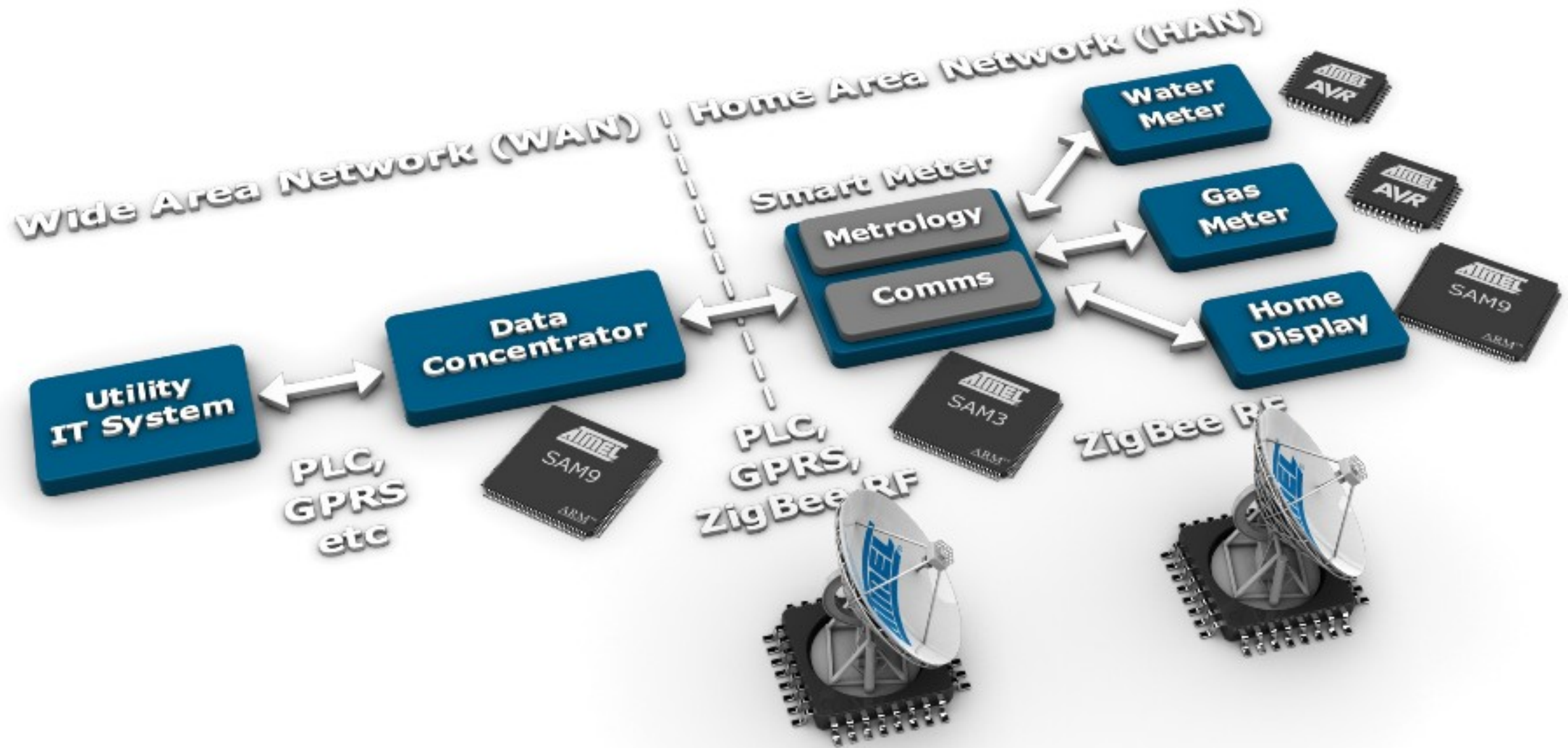


Atmel Solutions For Metering

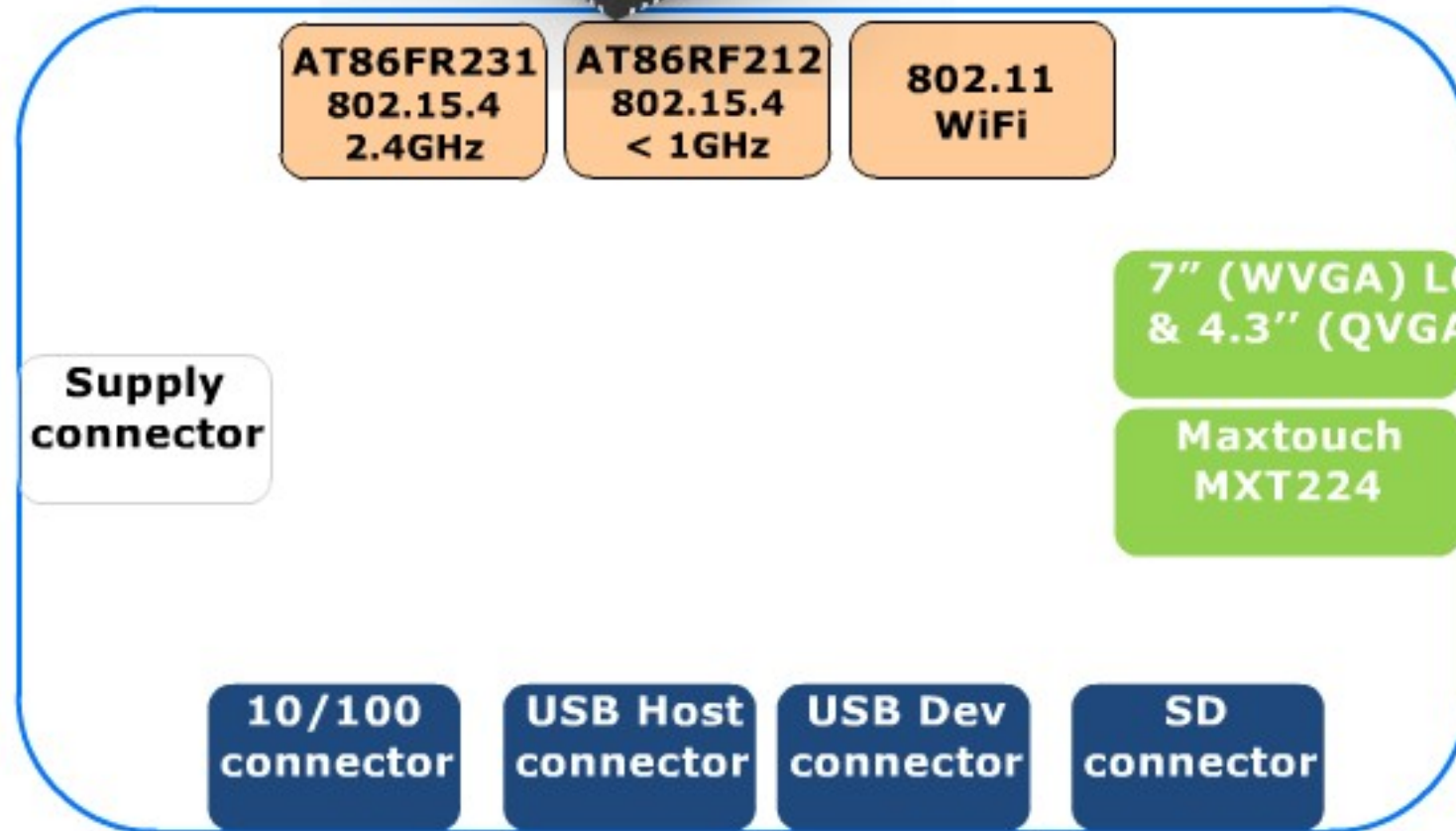


In Home Displays – Why?

- Consumers can understand their energy consumption behavior, change it and save money on their energy bill



Atmel Solutions for IHD



maXTouch™



Atmel SAM9 Comparison Table

	Atmel SAM9G10	Atmel SAM9G45	Atmel SAM9M10
CPU speed	266 MHz	400 MHz	400 MHz
DDR2 Bus	SDRAM	✓	✓
EMAC	—	✓	✓
HW Video dec	—	—	✓
LCD Controller	✓	✓	✓
HS USB (H+D)	FS	✓	✓
SDIO/SD/MMC	✓	✓	✓ ✓
Package	BGA217	BGA324	BGA324

Atmel SAM9G45 General-purpose eMPU



- Main Features
 - 400 MHz CPU speed
 - DDR2 and NAND Flash support
 - 1.0V VDDcore
 - < 300 μ W/MHz
 - 3.3V IOs and Industrial temperature range
 - 0.8mm pitch BGA324
 - Multiple boot capabilities

Atmel OS Solutions for SAM9

- Free Open Embedded and Buildroot Distributions from Atmel
(www.at91.com/linux4sam)
- Free Android port from Atmel
(www.at91.com/android4sam)
- Free WinCE BSP
(www.at91.com/windows4sam)



ANDROID